

Ring System PRO

Samyang / Rokinon 135mm F:2

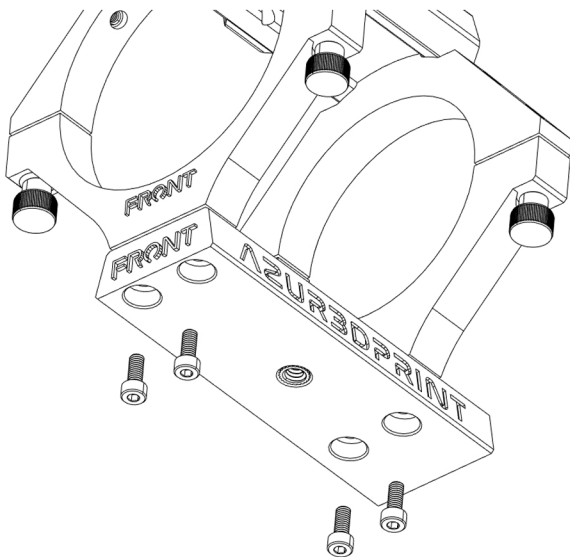
Basic kit with Vixen mounting plate



www.azur3dprintshop.com

STEP 2

Insert the 4 M4x12 screws **and screw in loosely** to ensure a perfect fit in step 3.

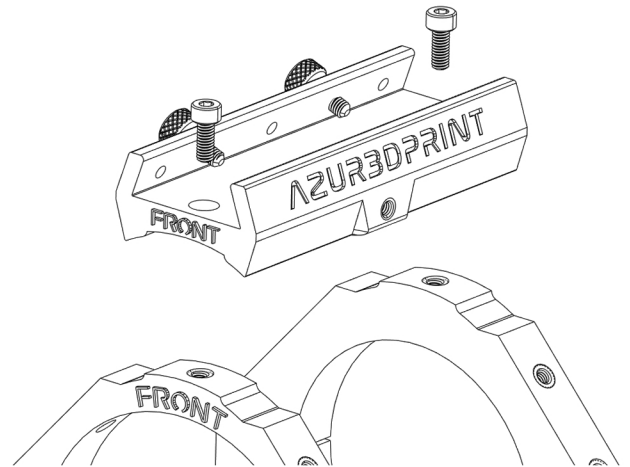


* Match the "Front" and "Back" labels of each element

STEP 1

Screw the 2 knurled screws into the top rail, then install the 2 M4x8 screws

Do not tighten completely to allow perfect adjustment in step 3.



* Match the "Front" and "Back" labels of each element

STEP 3

Unscrew the rings, present the lens and replace the upper rings. **tightening sufficiently**

STEP 4

Once the lens is securely in place, check that the whole assembly is perfectly aligned **and tighten all M4 screws**



We thank you for your support and wish you many beautiful pictures with our new ring system Pro.